

High Speed Drilling / Milling Unit ER11

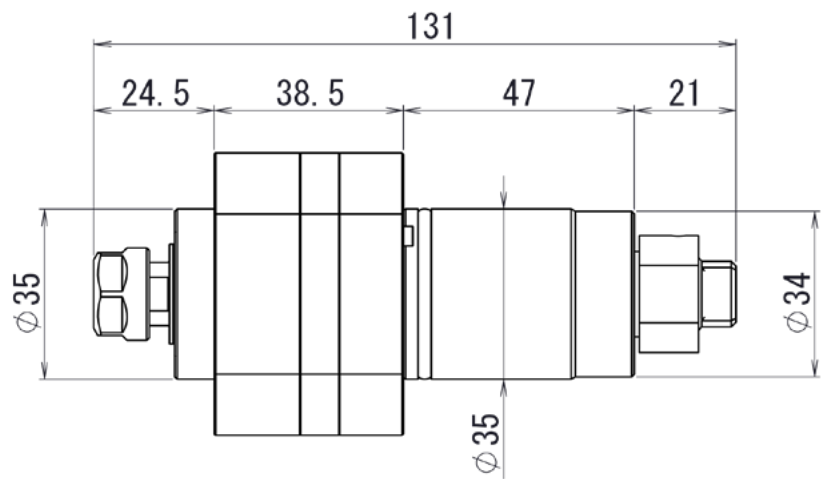
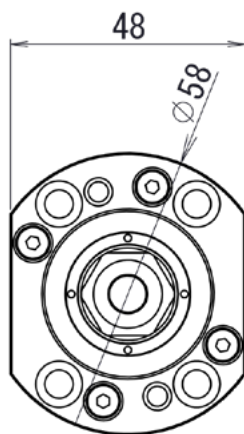
Part # TSU-3220Y7551-0101

for B073-III, B0123-III, B0203-III, B074-III B0124-III, B0204-III B075-III, B0125-III, B0205-III, B0126-III, B0206-III P013 , P014 , P033 , P034 S205 , S206



Technical data

Collet	ER11
Ratio	1 : 4
Rpm at input	max. 6,000 1/min
Rpm at output	max. 24,000 1/min
Torque at output	max. 13 Nm
Direction of Rotation	Input = Output: yes
Included	With nut Without wrench and collets



High Speed Drilling / Milling Unit ER11

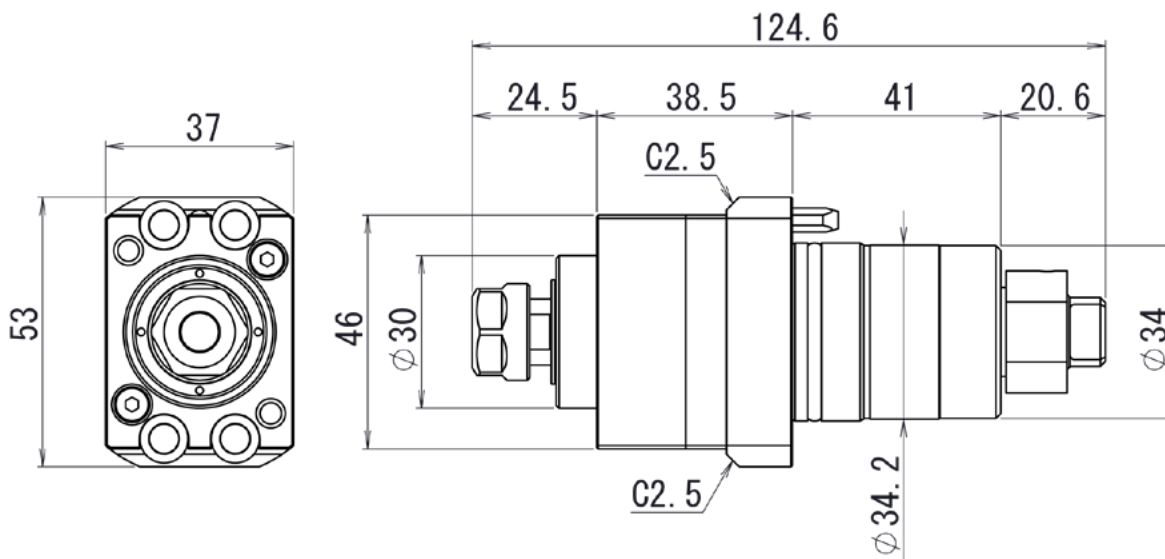
Part # TSU-3281-Z06231

for S205A / S205 / S206

Technical data

Collet	ER11
Ratio	1 : 4
Rpm at input	max. 6,000 1/min
Rpm at output	max. 24,000 1/min
Torque at output	max. 13 Nm
Direction of Rotation	Input = Output: yes

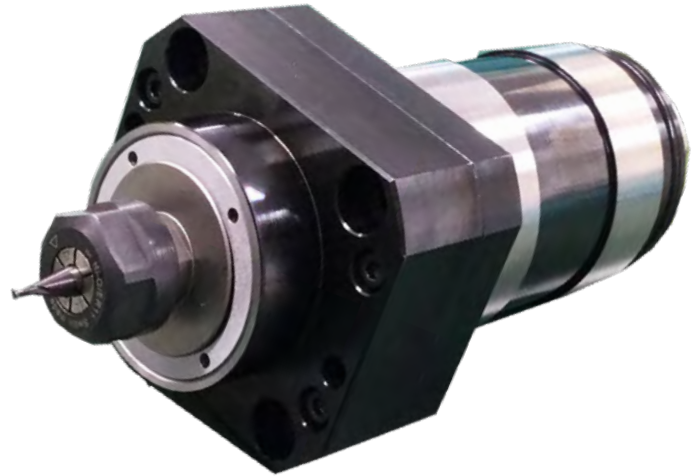
Included With nut
Without wrench and collets



High Speed Drilling / Milling Unit ER11

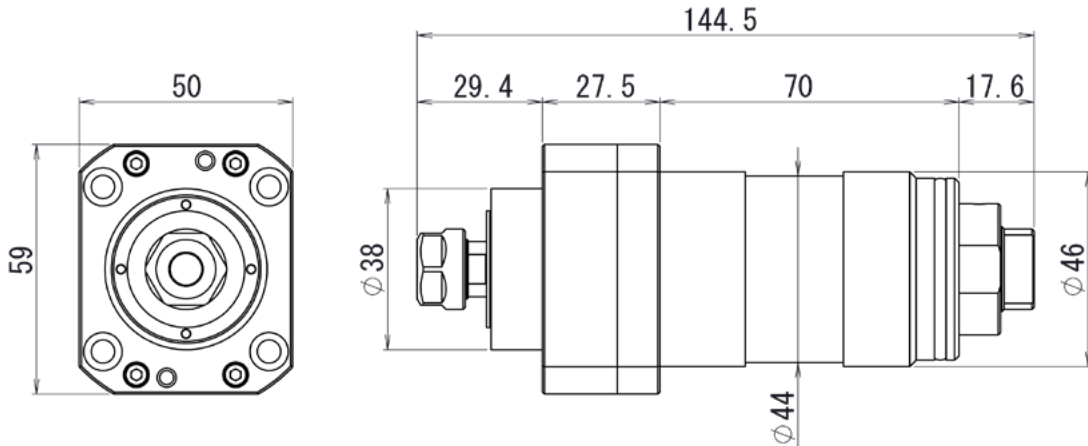
Part # TSU-3290-Y671

for B0265-II, B0265B-II, B0266-II
B0325-II, B0325-II, B0326-II



Technical data

Collet	ER11
Ratio	1 : 4
Rpm at input	max. 6,000 1/min
Rpm at output	max. 24,000 1/min
Torque at output	max. 13 Nm
Direction of Rotation	Input = Output: yes
Included	With nut Without wrench and collets



High Speed Drilling / Milling Unit ER11

Part # TSU-3290-Y681

for

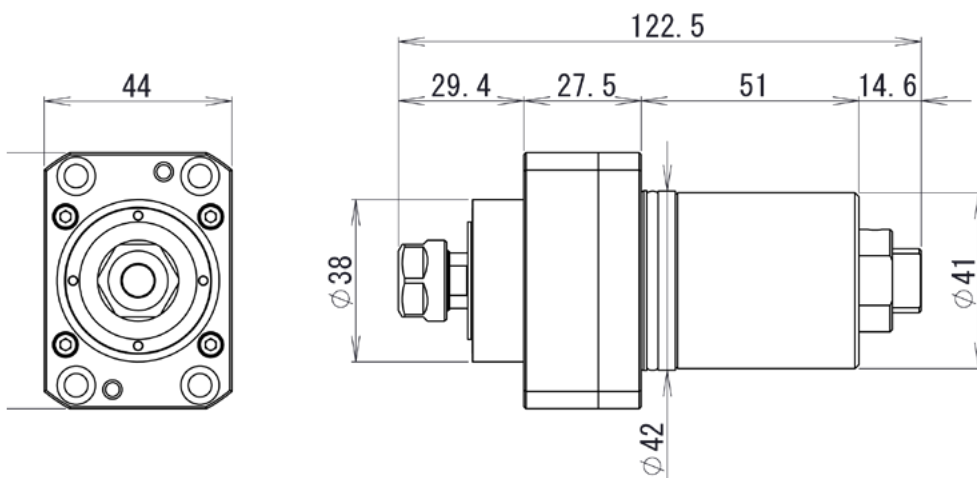
B0265-II, B0265B-II, B0266-II
B0325-II, B0325-II, B0326-II
SS267, SS327, SS267-5AX,
SS327-5AX

Technical data

Collet	ER11
Ratio	1 : 4
Rpm at input	max. 6,000 1/min
Rpm at output	max. 24,000 1/min
Torque at output	max. 13 Nm
Direction of Rotation	Input = Output: yes

Included

With nut
Without wrench and collets



High Speed Drilling / Milling Unit ER11

Part # TSU-3290-Y3671

for B0265-III, B0265B-III, B0266-III
B0325-III, B0325-III, B0326-III



Technical data

Collet	ER11
Ratio	1 : 4
Rpm at input	max. 6,000 1/min
Rpm at output	max. 24,000 1/min
Torque at output	max. 13 Nm
Direction of Rotation	Input = Output: yes
Included	With nut Without wrench and collets

