

Cross Drilling / Milling Unit ER16

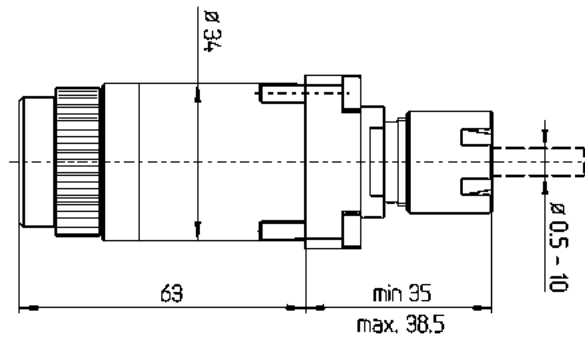
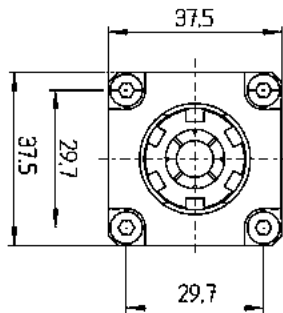
Part # STAR331-50-ER16

for

SV-12, ECAS-12/20, SV-20
 SB-12/20R, SB-16D/E
 SR-20J/JN/R1I-IV, SW-20
 SV-32, SV-32J, SV-32JII
 SR-32, SR-32J/JN
 SV-38R

Technical data

Collet	ER16
Ratio	1 : 1
Rpm at input	max. 8000 1/min
Rpm at output	max. 8000 1/min
Torque at output	max. 13 Nm
Direction of Rotation	Input = Output: yes
Included	With nut Without wrench and collets



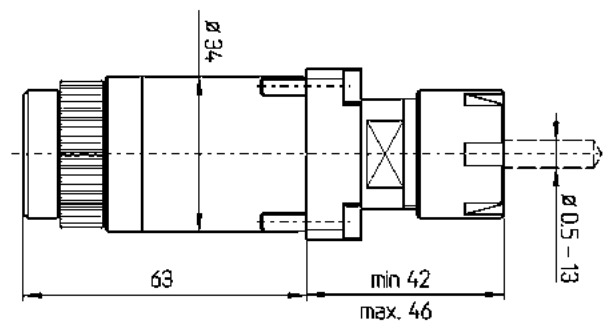
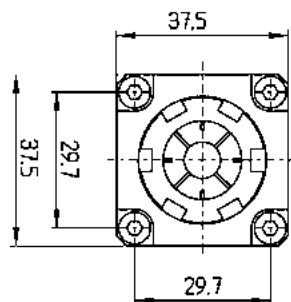
Cross Drilling / Milling Unit ER20

Part # STAR331-50-ER20

for SV-12, ECAS-12/20; SV-20
SB-12/20R, SB-16D/E
SR-20J/JN/R11-IV, SW-20
SV-32, SV-32J, SV-32JII
SR-32, SR-32J/JN
SV-38R

Technical data

Collet	ER20
Ratio	1 : 1
Rpm at input	max. 8000 1/min
Rpm at output	max. 8000 1/min
Torque at output	max. 13 Nm
Direction of Rotation	Input = Output: yes
Included	With nut Without wrench and collets



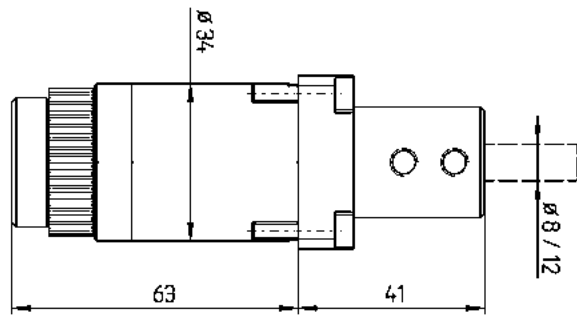
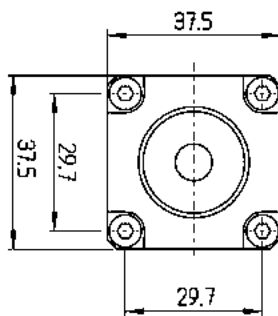
Cross Drilling / Milling Unit Ø 8 / 12

Part # STAR331-50-WD08
STAR331-50-WD12

for SV-12, ECAS-12/20; SV-20
SB-12/20R, SB-16D/E
SR-20J/JN/R11-IV, SW-20
SV-32, SV-32J, SV-32JII
SR-32, SR-32J/JN
SV-38R

Technical data

Tool fitting	Ø 8 / Ø 12
Ratio	1 : 1
Rpm at input	max. 8000 1/min
Rpm at output	max. 8000 1/min
Torque at output	max. 13 Nm
Direction of Rotation	Input = Output: yes
Included	With nut Without wrench and collets



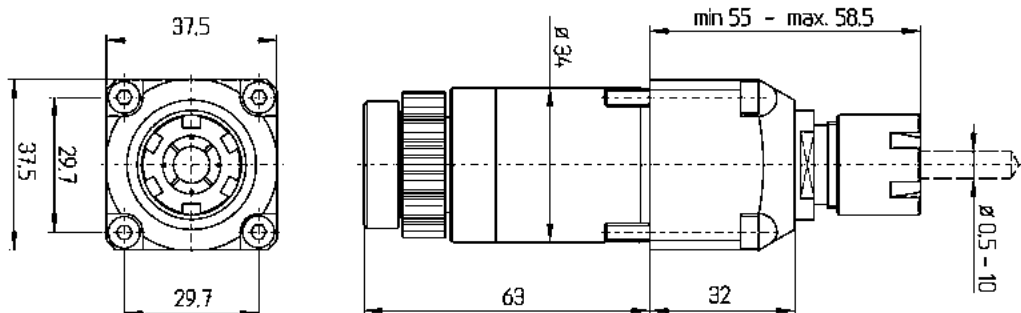
Cross Drilling / Milling Unit ER16

Part # STAR571-55-ER16

for
 ECAS-12/20
 SB-12/20R
 SR-20J/JN/R11-IV
 SW-20
 ECAS-32T
 SV-38R

Technical data

Collet	ER16
Ratio	1 : 1
Rpm at input	max. 8000 1/min
Rpm at output	max. 8000 1/min
Torque at output	max. 13 Nm
Direction of Rotation	Input = Output: yes
Included	With nut Without wrench and collets



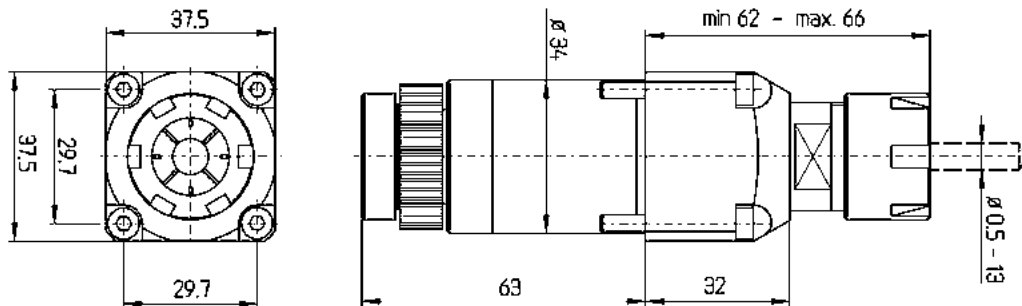
Cross Drilling / Milling Unit ER20

Part # STAR571-55-ER20

for ECAS-12/20,
SB-12/20R
SR-20J/JN/R11-IV
SW-20
ECAS-32T
SV-38R

Technical data

Collet	ER20
Ratio	1 : 1
Rpm at input	max. 8000 1/min
Rpm at output	max. 8000 1/min
Torque at output	max. 13 Nm
Direction of Rotation	Input = Output: yes
Included	With nut Without wrench and collets



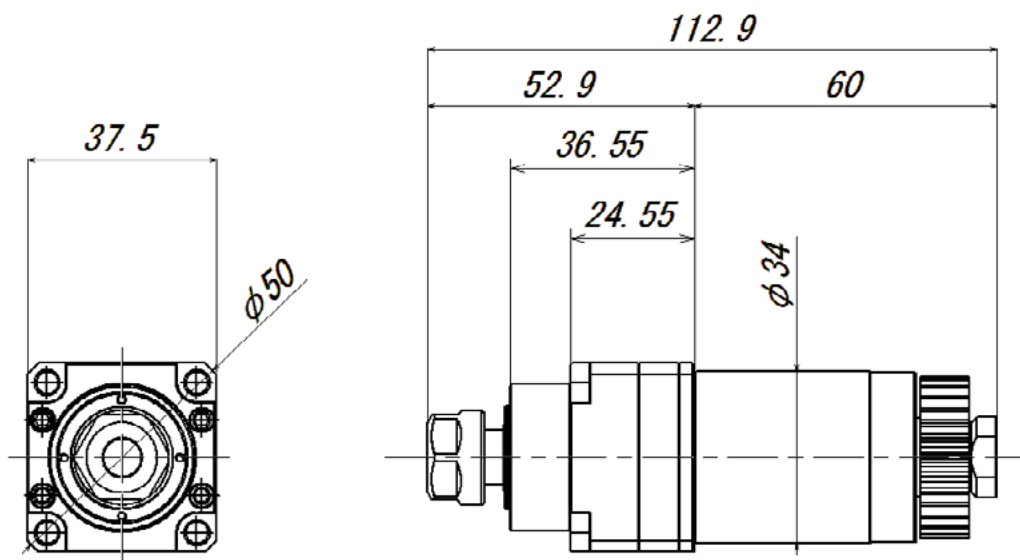
**Cross Drilling / Milling Unit ER11
101-75**
Part # STAR101-75

for

 SV12, ECAS12/20, SV20
 SB12/20R, SB16D/E
 SR20J/JN/R1I-IV, SW20
 SV32, SV32J, SV32JII
 SR32, SR32J/JN
 SV38R

Technical data

Collet	ER11
Ratio	1 : 4
Rpm at input	max. 6,000 1/min
Rpm at output	max. 24,000 1/min
Torque at output	max. 13 Nm
Direction of Rotation	Input = Output: yes
Included	With nut Without wrench and collets



**Drilling / Milling Unit ER16
For Backworking**

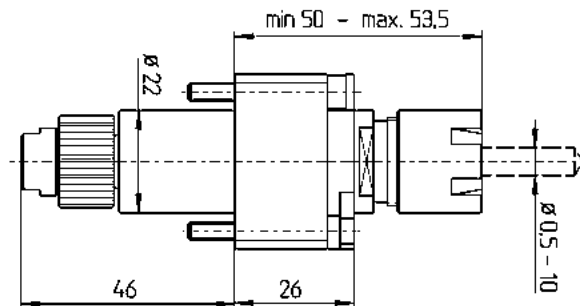
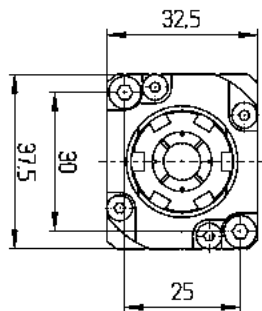
Part # STAR0R-161-ER16

for

SB-12/20R
SW-12RII
SR-20RIV
SW-20

Technical data

Collet	ER16
Ratio	1 : 1
Rpm at input	max. 8000 1/min
Rpm at output	max. 8000 1/min
Torque at output	max. 13 Nm
Direction of Rotation	Input = Output: yes
Included	With nut Without wrench and collets



Drilling / Milling Unit ER16 For Backworking

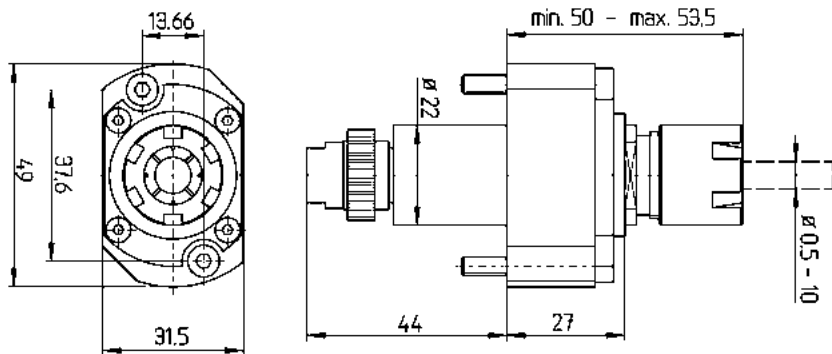
Part # STAR571-61-ER16

for
 ECAS-12/20
 SB-12/20R
 SW-12RII
 SR-20J/JN/RII-IV,
 SR-32J/JN

Technical data

Collet	ER16
Ratio	1 : 1
Rpm at input	max. 8000 1/min
Rpm at output	max. 8000 1/min
Torque at output	max. 13 Nm
Direction of Rotation	Input = Output: yes

Included With nut
 Without wrench and collets

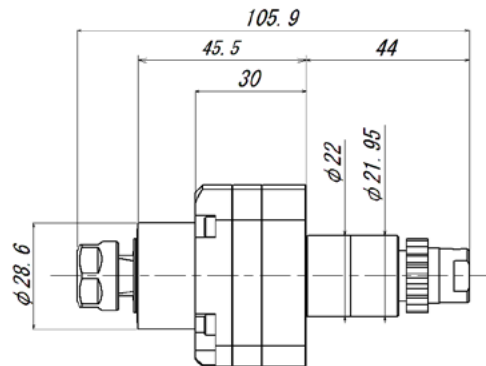
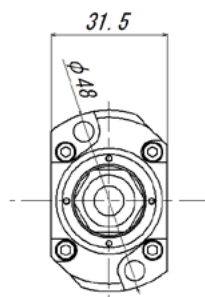


**Drilling / Milling Unit ER11
for Backworking**
Part # STAR101-76

for ECAS-12/20
SB-12/20R
SW-12RII
SR-20J/JN/RII-IV,
SR-32J/JN

Technical data

Collet	ER11
Ratio	1 : 4
Rpm at input	max. 6,000 1/min
Rpm at output	max. 24,000 1/min
Torque at output	max. 13 Nm
Direction of Rotation	Input = Output: yes
Included	With nut Without wrench and collets



Drilling / Milling Unit ER11 For Backworking

Part # STAR541-61-ER11

for

SR-10J, ECAS-12/20
SB-12/20R, SW-12RII
SR-20J/JN/RII-IV
SR-32J/JN

Technical data

Collet	ER11
Ratio	1 : 1
Rpm at input	max. 8000 1/min
Rpm at output	max. 8000 1/min
Torque at output	max. 13 Nm
Direction of Rotation	Input = Output: yes
Included	With nut Without wrench and collets

