

Gang Rotary Tool

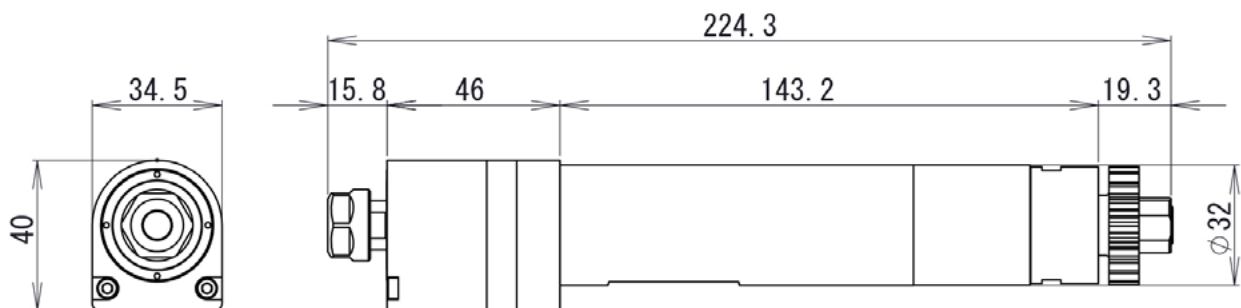
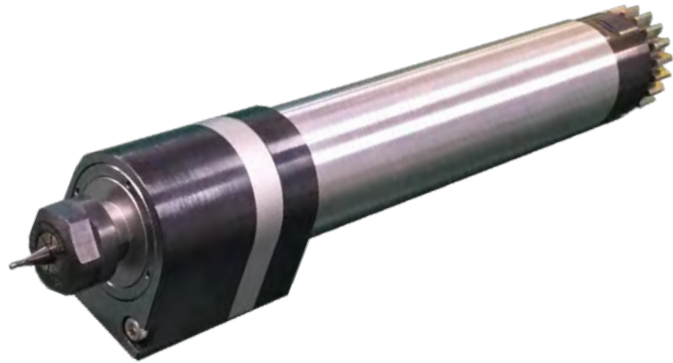
Part # CIT-CSM4-01

for C20/32 L20 VII*VIII*IX / L20E
VII*IX Evolution / L20X Innovation
M20/M32 V

Technical data

Collet	ER11
Ratio	1 : 4
Rpm at input	max. 6,000 1/min
Rpm at output	max. 24,000 1/min
Torque at output	max. 13 Nm
Direction of Rotation	Input = Output: yes

Included With nut
Without wrench and collets



Gang Rotary Tool

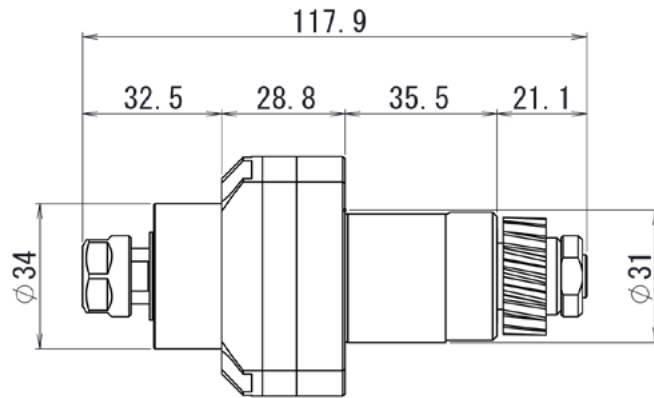
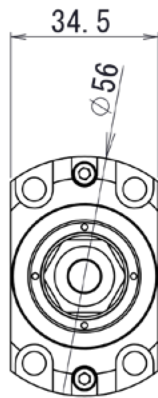
Part # CIT-CSM4-02

for L20E - VIII*IX Evolution / L20 X Innovation



Technical data

Collet	ER11
Ratio	1 : 4
Rpm at input	max. 6,000 1/min
Rpm at output	max. 24,000 1/min
Torque at output	max. 13 Nm
Direction of Rotation	Input = Output: yes
Included	With nut Without wrench and collets



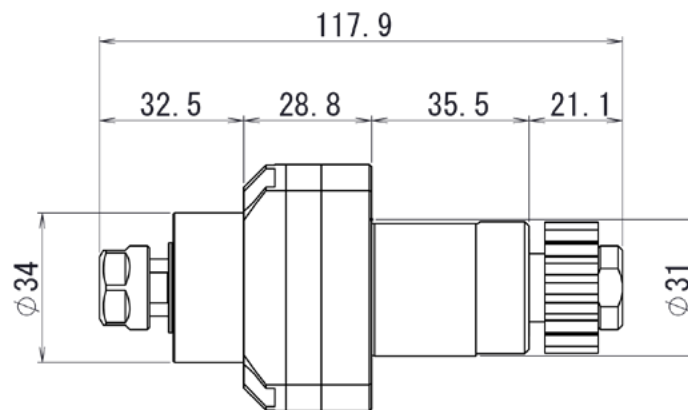
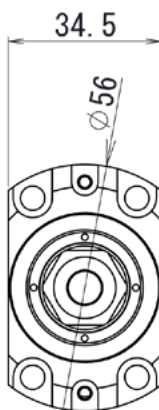
Gang Rotary Tool

Part # CIT-CSM4-03

for A20 VII Evolution / A20 VII(A20-3F7) / A32 VII Evolution L20 XII Innovation / L20VIII*IX*X*XII / L32 VIII*IX*X*XII
M32 III*V*VII*VIII Innovation

Technical data

Collet	ER11
Ratio	1 : 4
Rpm at input	max. 6,000 1/min
Rpm at output	max. 24,000 1/min
Torque at output	max. 13 Nm
Direction of Rotation	Input = Output: yes
Included	With nut Without wrench and collets



Gang Rotary Tool

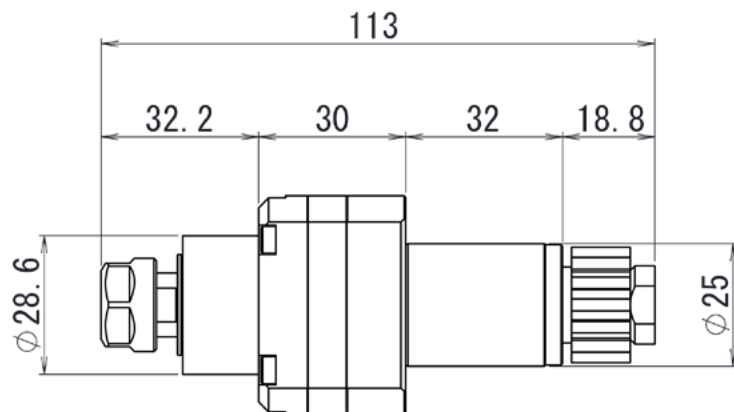
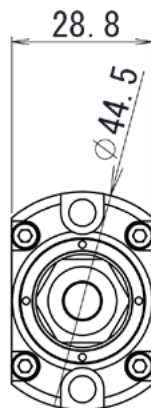
Part # CIT-CSM4-04

for

L12 VII Innovation / L20E
VIII*IX Evolution / L20X Innova-
tion / L20XII Innovation / L20
VIII*IX*X*XII
M16 V*VII*VIII
(A20/A32 OP U151B)

Technical data

Collet	ER11
Ratio	1 : 4
Rpm at input	max. 6,000 1/min
Rpm at output	max. 24,000 1/min
Torque at output	max. 13 Nm
Direction of Rotation	Input = Output: yes
Included	With nut Without wrench and collets



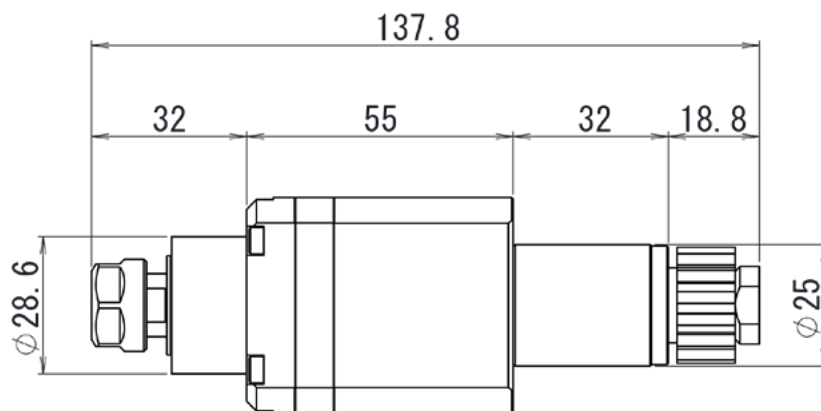
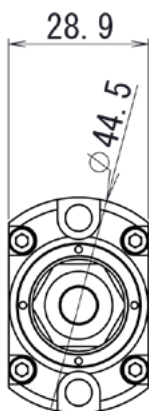
Gang Rotary Tool

Part # CIT-CSM4-05

for L20E - VIII*IX Evolution / L20 X
Innovation

Technical data

Collet	ER11
Ratio	1 : 4
Rpm at input	max. 6,000 1/min
Rpm at output	max. 24,000 1/min
Torque at output	max. 13 Nm
Direction of Rotation	Input = Output: yes
Included	With nut Without wrench and collets



Gang Rotary Tool

Part # CIT-CSM4-07

for A20 VII Evolution / A20 VII(A20-3F7) / A32 VII Evolution L20 XII Innovation / L20VIII*IX*X*XII / L32 VIII*IX*X*XII
M32 III*V*VII*VIII Innovation



Technical data

Collet	ER11
Ratio	1 : 4
Rpm at input	max. 6,000 1/min
Rpm at output	max. 24,000 1/min
Torque at output	max. 13 Nm
Direction of Rotation	Input = Output: yes
Included	With nut Without wrench and collets

